



This Datasheet applies for the following products:

200228 Battery Cell LTO 2,4V 30Ah – M12

200241 Battery Cell LTO 2,4V 30Ah – Weldable

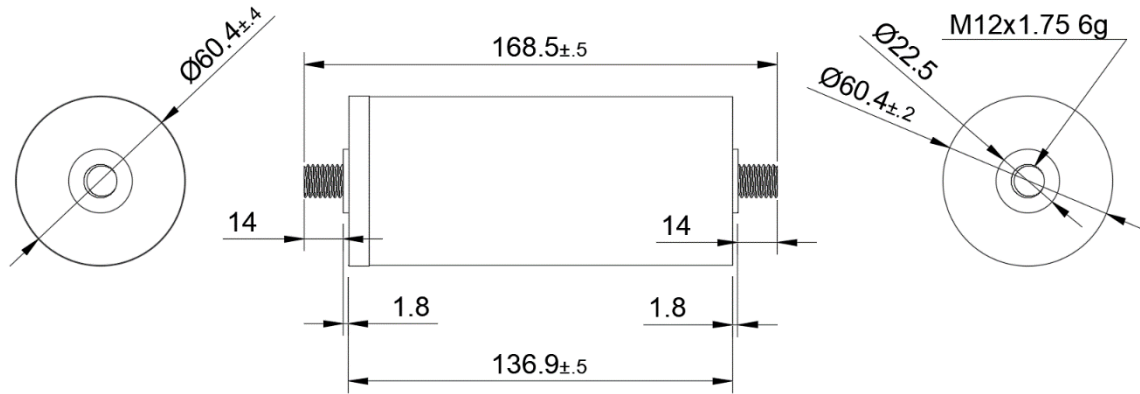
1. Specifications

Property	Value
Weight	≤ 850g
Nominal Capacity	30Ah @ 1C (30A)
Nominal Voltage	2.4V
Nominal Energy	72Wh
Energy Density	85 Wh/kg
Resistance	≤0.5mΩ(AC, 1000Hz)
Cycle life(80% DOD)	≥ 15.000 cycles
Charging cut-off voltage	2.8V
Discharging cut-off voltage	1.5V
Standard charging current	1C(30A)
Standard discharging current	1C(30A)
Max. constant charging current	4C(120A)
Max. constant discharging current	8C(240A)
Max. charging current	12C(360A)
Max. discharging current	20C(600A)
Temperature range for storage	Less than one year: -10~25°C Less than three months: -30~45°C
Temperature range for operation	Charging temperature: -40~60°C Discharging Temperature: -50~60°C

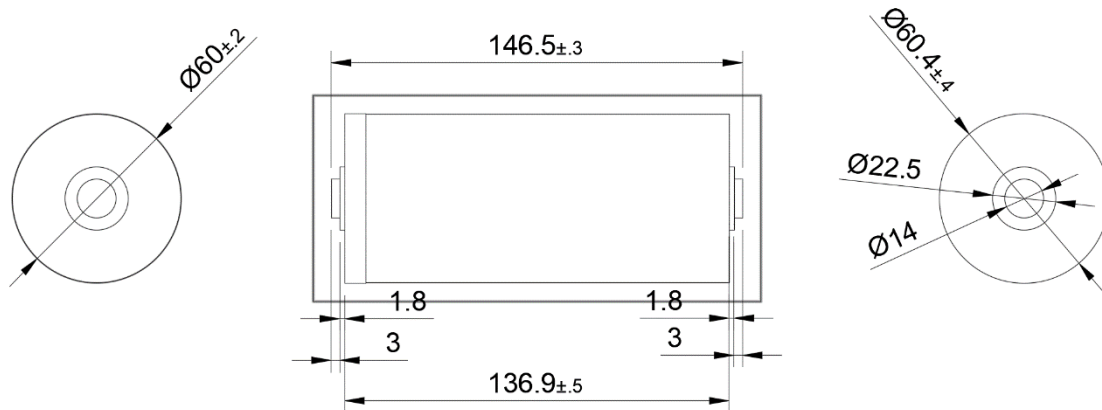


2. Dimensions

2.1. M12 connection



2.2. Weldable connection



Index	00	Checked by:	AA	Released by:	JC	Page: 2 of 2
Editor:	TA	Date:	06.05.2024	Date:	07.05.2024	